

NON-RETURN VALVES series ERK-R-O

Prevents backflow

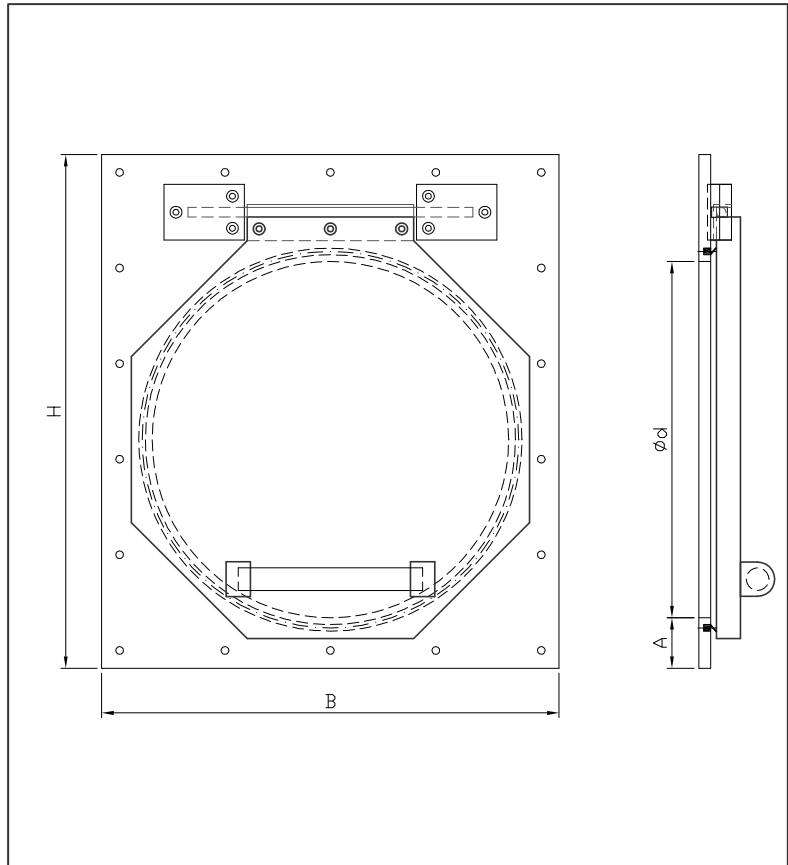
PRODUCT DESCRIPTION

ESEP non-return valve used for surface water, sewers and other aggressive environments, **series ERK-R-O**. Suitable for mounting on a flat surface wall. Entirely fabricated out of HDPE, axle and ballast weight AISI 316. EPDM rubber seal in between lid and housing and EPDM rubber seal in between wall and valve. Mounting by means of chemical anchors or mould in anchors.

APPLICATIONS

The non-return valve is used in surface water, sewers, disposal systems with a pump and other aggressive environments where return flow needs to be prevented.

DRAWING*



QUALITY

- Suitable for mounting on a flat wall
- Entirely fabricated out of HDPE
- Axle and ballast weight AISI 316
- EPDM rubber seal in between lid and housing, housing and wall
- Mounting by chemical anchors or mould in anchors
- The valve has a maximal operating pressure of 5 mWC

SPECIFICATIONS

Type	Ø d*	A*	B	H	Kg.
ERK-R-O 150	150	85	330	415	5
ERK-R-O 200	200	85	370	455	7
ERK-R-O 250	250	85	420	505	11
ERK-R-O 300	300	85	470	555	15
ERK-R-O 400	400	85	570	665	25
ERK-R-O 500	500	85	670	765	30
ERK-R-O 600	600	85	770	865	35
ERK-R-O 700	700	85	870	965	60
ERK-R-O 800	800	85	970	1065	70
ERK-R-O 900	900	85	1070	1165	80
ERK-R-O 1000	1000	85	1170	1265	90
ERK-R-O 1200	1200	85	1370	1465	110

A* = Distance to flow line

Ø d* = Bore diameter

Drawing* = Principal drawing

Other dimensions and special editions on request.