

## SEPTIC TANK LDPE

For water contaminated with faecal matter

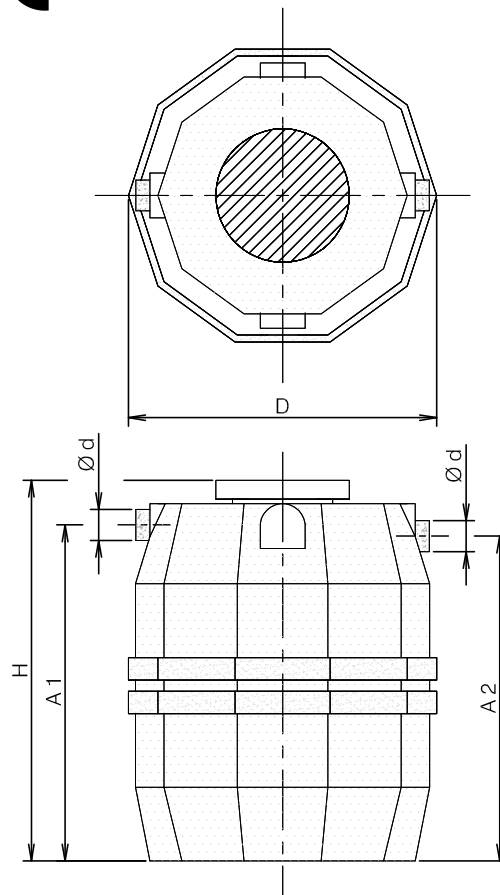
### PRODUCT DESCRIPTION

**ESEP** LDPE "ten-sided septic tank", series **FS 9000**. Equipped with plastic cover on top. Not suitable for traffic loads. Warning: it is important that the installation instructions are strictly followed.

### APPLICATIONS

Systems with purification class I are used in the filtration of domestic waste water in places where no higher degree of purification than class I is required. After treatment the waste water can be led to the surface water. Unfiltered disposal of domestic waste water is not allowed.

### DRAWING



### QUALITY

- Not suitable for traffic loads. Follow the installation instructions strictly.
- The FS 9000 series are made from LDPE (polyethylene), using rotational moulding.
- CE certified.

### SPECIFICATIONS

| Type    | I*   | D    | H    | A 1  | A 2  | Ø d | Kg. |
|---------|------|------|------|------|------|-----|-----|
| FS 9010 | 1000 | 1100 | 1360 | 1200 | 1160 | 110 | 28  |
| FS 9015 | 1500 | 1330 | 1520 | 1350 | 1310 | 110 | 40  |
| FS 9020 | 2000 | 1640 | 1400 | 1240 | 1200 | 110 | 57  |
| FS 9030 | 3000 | 1710 | 1900 | 1750 | 1710 | 110 | 73  |

I\* = Volume of septic tank (litres).

\*\* N.B. during installation extra precautions have to be made! Follow the installation instructions strictly!