

Stainless steel vortex flow control series CE/V

Vertical operation and submerged installation

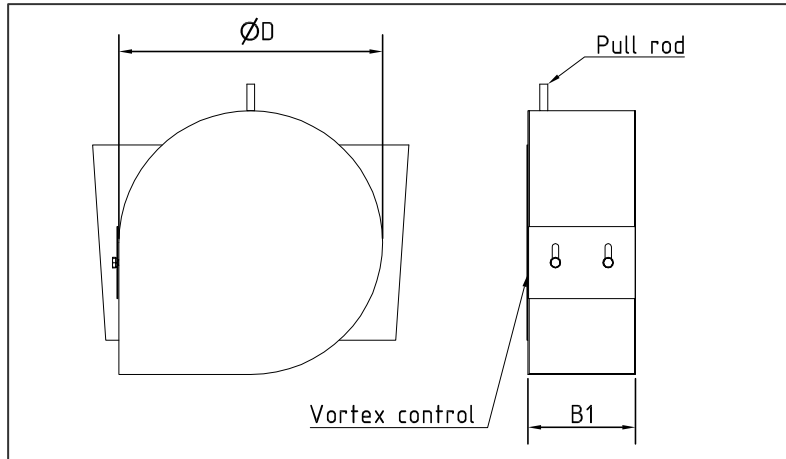
PRODUCT DESCRIPTION

ESEP AISI 316 vortex flow control, **series CE/V**, is a flow limiter. It is designed to limit the flow in overflow basins, surge basins and sewer systems (combined and rainwater) to a predefined, maximum drainage capacity. The ESEP vortex flow control consists of a durable, stainless steel (AISI 316) casing with no moving parts. At low flow rates, the vortex flow control allows the (waste) water to flow through unhindered. Available in several types depending on the situation.

APPLICATIONS

The vortex flow control is perfectly suited as a flow limiter in overflow basins, surge basins, combined and rainwater sewer systems, industrial waste and watercourses. Furthermore, the vortex flow control serves as a good flow limiter for separators and industrial water treatment. Prior to the vortex flow control a dirt trap needs to be installed.

DRAWING

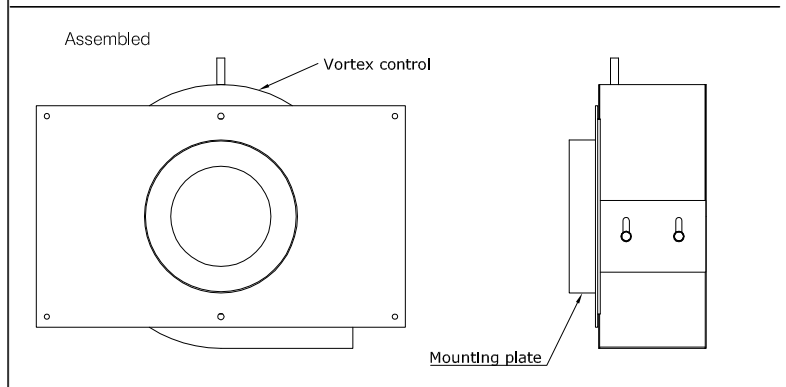
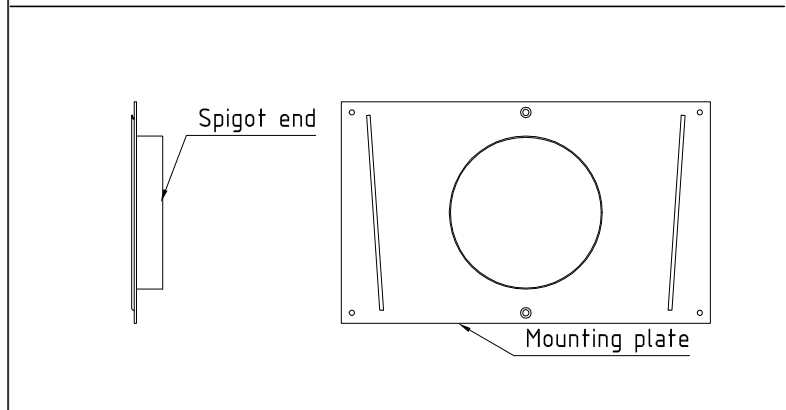


QUALITY

- Mounting plate for convenient wall mounting
- Considerable saving in the size of your industrial water purification system
- Approved in conformity with Aquafin guidelines SB 250, III-12.6
- No moving parts
- No wear and tear
- Consumes no energy
- Corrosion-free construction
- Required capacity can be precisely defined
- Quickly and easily installed
- Minimal maintenance
- Removable by cable or pull rod

Options

- Mounting plate suited for round well
- Custom made spigot



SPECIFICATIONS

Specifications dependent on the type of vortex flow control.